

**WEBER BASIN WATER CONSERVANCY DISTRICT**

2837 East Highway 193  
Layton, Utah 84040  
(801) 771-1677

**SECONDARY WATER**

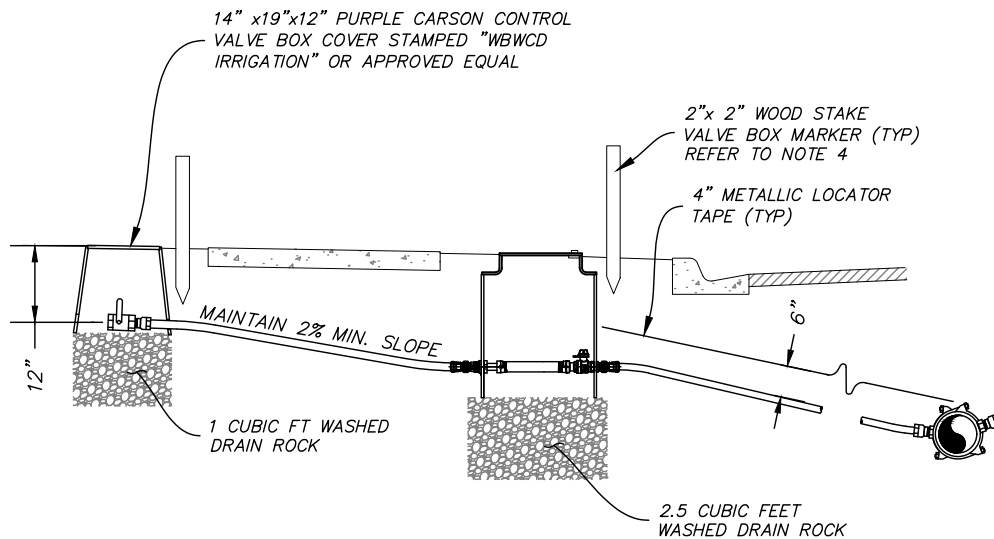
**1" METERED SERVICE CONNECTION**

**STANDARD DRAWING SW-01.1**

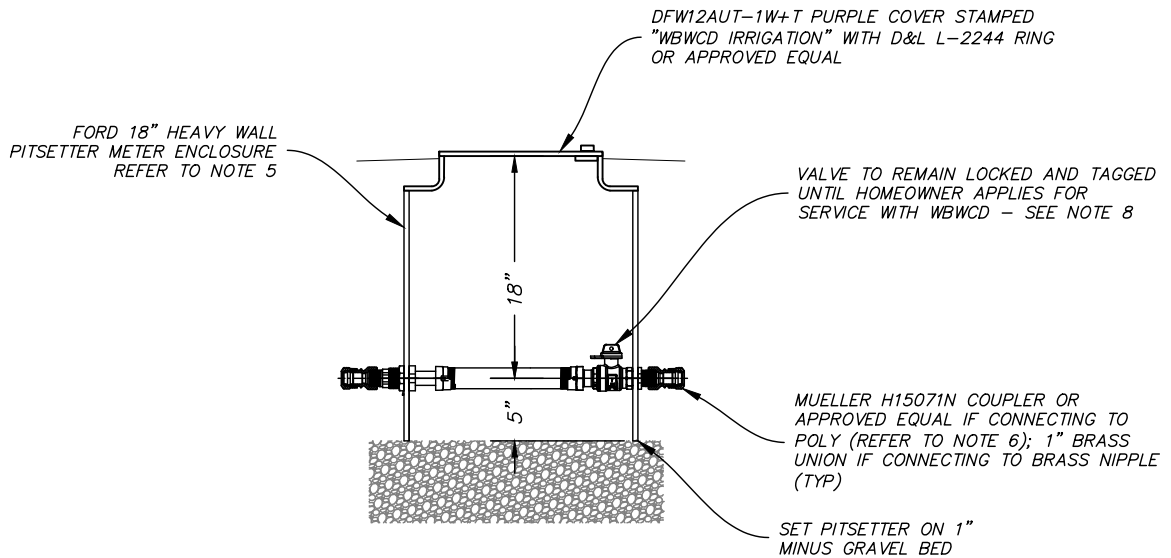
APPROVED BY: D.A.J.

PAGE 01 OF 02

ISSUE DATE  
04/2020



**PROFILE**



**METER DETAIL**

**NOTES**

1. EQUIVALENT SADDLES ALLOWED WITH DISTRICT ENGINEER APPROVAL. CONSULT DISTRICT ENGINEER FOR MAINLINE PIPE SIZES GREATER THAN 12" OR FOR MAINLINE PIPE MATERIAL OTHER THAN C900 PVC. HOT TAPPING NOT ALLOWED.
2. METER & ENCLOSURE SHALL BE LOCATED BEHIND CURB WITHIN STREET R.O.W. OR PUBLIC UTILITY EASEMENT IF NO CURB OR GUTTER EXISTS.
3. VALVE & METER ENCLOSURE LIDS SHALL BE STAMPED "WBWCD IRRIGATION".
4. VALVE BOX MARKERS TO BE PAINTED PURPLE AND MUST BE SET ADJACENT TO EVERY VALVE & METER BOX.
5. METER ENCLOSURE TO BE 18" FORD HEAVY WALL PITSETTER MODEL PK488-18-95059-017-NL WITH NO LID AND OPEN BOTTOM.
6. ALL COMPRESSION-TYPE CONNECTIONS REQUIRE STAINLESS STEEL INSERT STIFFENERS. THE TUBING SHOULD BE INSERTED INTO THE FITTING SO THAT THE END OF THE TUBING IS WELL PAST THE RUBBER GASKET AND AT LEAST 1/8" FROM THE BOTTOM OF THE SOCKET.
7. ALL WORK SHALL BE INSPECTED & APPROVED BY DISTRICT INSPECTOR PRIOR TO BACKFILL. ALL INSPECTIONS SHALL BE COORDINATED 48 HOURS IN ADVANCE.
8. UPON ACCEPTANCE, WBWCD INSPECTOR WILL CLOSE VALVE AND LOCK AND TAG THE SERVICE. NEW RESIDENTIAL HOMEOWNER WILL BE REQUIRED TO APPLY FOR SERVICE VIA WEBER BASINS WEBSITE AT [setup.weberbasin.com](http://setup.weberbasin.com) IN ORDER TO HAVE METER INSTALLED AND SERVICE ACTIVATED.
9. CONCRETE IS NOT ALLOWED WITHIN 12" OF CENTER OF METER ENCLOSURE.



**WEBER BASIN WATER  
CONSERVANCY  
DISTRICT**

2837 East Highway 193  
Layton, Utah 84040  
(801) 771-1677

**SECONDARY WATER**

**1" METERED SERVICE  
CONNECTION**

**STANDARD DRAWING  
SW-01.2**

APPROVED BY: D.A.J.

PAGE 02 OF 02

ISSUE DATE  
04/2020